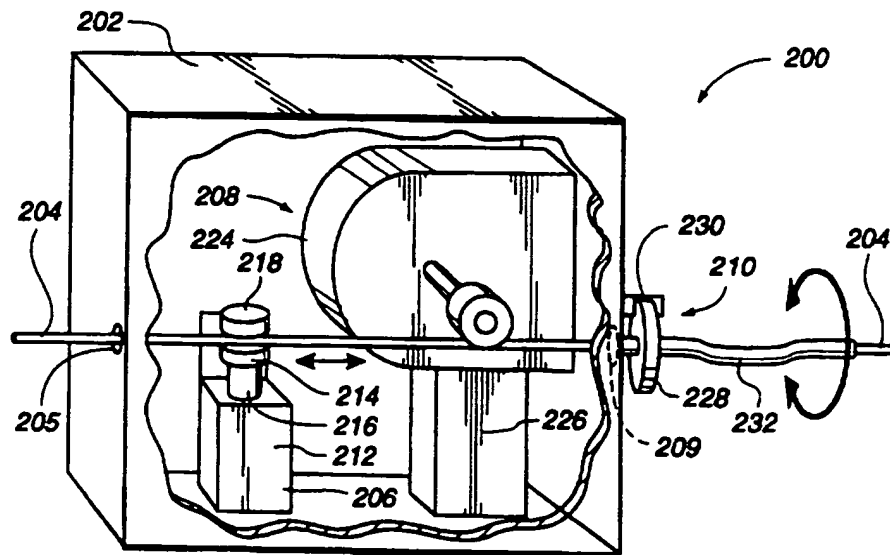




INTERNATIONAL APPLICATION PUBLISHED UNDER THE PATENT COOPERATION TREATY (PCT)

<p>(51) International Patent Classification 6 : <b>G09G 5/08</b></p>	<p>A1</p>	<p>(11) International Publication Number: <b>WO 96/16397</b> (43) International Publication Date: 30 May 1996 (30.05.96)</p>
<p>(21) International Application Number: PCT/US95/15301 (22) International Filing Date: 22 November 1995 (22.11.95) (30) Priority Data: 08/344,148 23 November 1994 (23.11.94) US (71) Applicant: IMMERSION HUMAN INTERFACE CORPORATION [US/US]; 2158 Paragon Drive, San Jose, CA 95131 (US). (72) Inventors: ROSENBERG, Louis, B.; 849 Palomino Drive, Pleasanton, CA 94566 (US). ALARCON, Ramon; 8-C Abrams Court, Stanford, CA 94305 (US). (74) Agents: HICKMAN, Paul, L. et al.; P.O. Box 61059, Palo Alto, CA 94306 (US).</p>		<p>(81) Designated States: CA, JP, European patent (AT, BE, CH, DE, DK, ES, FR, GB, GR, IE, IT, LU, MC, NL, PT, SE).  <b>Published</b> <i>With international search report. Before the expiration of the time limit for amending the claims and to be republished in the event of the receipt of amendments.</i></p>

(54) Title: METHOD AND APPARATUS FOR PROVIDING MECHANICAL I/O FOR COMPUTER SYSTEMS INTERFACED WITH ELONGATED FLEXIBLE OBJECTS



(57) Abstract

An apparatus (102) for interfacing an elongated flexible object (204) with an electrical system (104, 106, 110). The apparatus includes: an object receiving portion (202) and a rotation transducer (210) coupled to the object receiving portion (202) adapted to determine the rotational motion of the elongated flexible object (204) when the object (204) is engaged with the object receiving portion (202) and to provide an electromechanical interface between the object (204) and the electrical system (104, 106, 110). In a preferred embodiment, the rotation transducer (210) includes an actuator (206) and translational transducer (208) to provide a translational electromechanical interface between the object (204) and the electrical system (104, 106, 110).

**FOR THE PURPOSES OF INFORMATION ONLY**

Codes used to identify States party to the PCT on the front pages of pamphlets publishing international applications under the PCT.

AT	Austria	GB	United Kingdom	MR	Mauritania
AU	Australia	GE	Georgia	MW	Malawi
BB	Barbados	GN	Guinea	NE	Niger
BE	Belgium	GR	Greece	NL	Netherlands
BF	Burkina Faso	HU	Hungary	NO	Norway
BG	Bulgaria	IE	Ireland	NZ	New Zealand
BJ	Benin	IT	Italy	PL	Poland
BR	Brazil	JP	Japan	PT	Portugal
BY	Belarus	KE	Kenya	RO	Romania
CA	Canada	KG	Kyrgystan	RU	Russian Federation
CF	Central African Republic	KP	Democratic People's Republic of Korea	SD	Sudan
CG	Congo	KR	Republic of Korea	SE	Sweden
CH	Switzerland	KZ	Kazakhstan	SI	Slovenia
CI	Côte d'Ivoire	LI	Liechtenstein	SK	Slovakia
CM	Cameroon	LK	Sri Lanka	SN	Senegal
CN	China	LU	Luxembourg	TD	Chad
CS	Czechoslovakia	LV	Larvia	TG	Togo
CZ	Czech Republic	MC	Monaco	TJ	Tajikistan
DE	Germany	MD	Republic of Moldova	TT	Trinidad and Tobago
DK	Denmark	MG	Madagascar	UA	Ukraine
ES	Spain	ML	Mali	US	United States of America
FI	Finland	MN	Mongolia	UZ	Uzbekistan
FR	France			VN	Viet Nam
GA	Gabon				

METHOD AND APPARATUS FOR PROVIDING MECHANICAL I/O FOR COMPUTER SYSTEMS INTERFACED WITH ELONGATED FLEXIBLE OBJECTS

DESCRIPTION

Technical Field

5           The present invention relates to human/computer interface input devices, and, more particularly, to computer input devices for simulating medical procedures.

Background Art

10           Virtual reality computer systems provide users with the illusion that they are part of a "virtual" environment. A virtual reality system will typically include a computer processor, such as a personal computer or workstation, specialized virtual reality software, and virtual reality I/O devices such as head mounted displays, pointer gloves, three-dimensional ("3D") pointers and the like. Virtual reality computer systems have been used successfully for training in many fields, such as aviation and vehicle and systems operation. The appeal of using virtual reality computer systems for training relates in part to the ability of such systems to allow neophyte practitioners the luxury of operating in a highly realistic environment and making disastrous mistakes without consequence to the trainee, others or property. Thus, for example, a trainee pilot or automobile driver can learn to fly (or drive) using a virtual reality simulator without concern for accidents that would cause death and/or property damage in the real world. Similarly, operators of complex systems, e.g., nuclear power plants and weapons systems, can safely practice a wide variety of training scenarios that would risk life or property if performed in reality.

15           The advantages of simulation have not gone unnoticed in the medical field, which has become increasingly concerned with the costs of malpractice and inefficient care management. For example, a virtual reality computer system can allow a doctor-trainee or other human operator or user to "manipulate" a scalpel or probe within a computer-simulated "body", and thereby perform medical procedures on a virtual patient. In this instance, an I/O device which typically is a 3D pointer, stylus, or the like is used to represent a surgical instrument such as a scalpel or probe. As the "scalpel" or "probe" moves within the body, an image is displayed on the screen of the computer system, and the results of the pointer's movements are updated and displayed so that the operator can gain the experience of performing such a procedure without practicing on an actual human being or a cadaver.

20           For virtual reality systems to provide a realistic (and therefore effective) experience for the user, sensory feedback and manual interaction should be as natural as possible. As virtual reality systems become more powerful and as the number of potential applications increases, there is a growing need for specific human/computer interface devices which allow users to

interface with computer simulations with tools that realistically emulate the activities being represented within the virtual simulation. Such procedures as laparoscopic surgery, catheter insertion, and epidural analgesia should be realistically simulated with suitable human/computer interface devices if the doctor is to be properly trained.

5           While the state of the art in virtual simulation and medical imaging provides a rich and realistic visual feedback, there is a great need for new human/computer interface tools which allow users to perform natural manual interactions with the computer simulation. For medical simulation, there is a strong need to provide doctors with a realistic mechanism for performing the manual activities associated with medical procedures while allowing a computer to accurately  
10 keep track of their actions. In addition to tracking a user's manual activity and feeding such information to the controlling computer to provide a 3D visual representation to the user, a human interface mechanism should also provide force feedback to the user, so the user can obtain realistic tactile information as well. Thus an effective human interface not only acts as an input device for tracking motion, but also as an output device for producing realistic tactile (haptic)  
15 sensations.

          There are number of devices that are commercially available for interfacing a human with a computer for virtual reality simulations. There are, for example, such 2-dimensional input devices such as mice, trackballs, and digitizing tablets. However, 2-dimensional input devices tend to be awkward and inadequate to the task of interfacing with 3-dimensional virtual reality  
20 simulations. In contrast, a 3-dimensional human/computer interface tool, sold under the trademark Immersion PROBE™ is marketed by Immersion Human Interface Corporation of Palo Alto, California, allows manual control in 3-dimensional virtual reality computer environments. A pen-like stylus allows for dexterous 3-dimensional manipulation, and the position and orientation of the stylus is communicated to a host computer. The Immersion  
25 PROBE has six degrees of freedom which convey spatial coordinates (x, y, z) and orientation (roll, pitch, yaw) of the stylus to the host computer.

          While the Immersion PROBE is an excellent 3-dimensional interface tool, it may be inappropriate for certain virtual reality simulation applications. For example, in some of the  
30 aforementioned medical simulations three or four degrees of freedom for a 3-dimensional human/computer interface tool is sufficient and, often, more desirable than five or six degrees of freedom because it more accurately mimics the real-life constraints of the actual medical procedure.

          The application of virtual reality simulation to the operation of catheters, and other elongated flexible objects, often require only two, three or four degrees of freedom. In  
35 particular, catheters work in a largely two dimensional environment created by the channel into which the catheter is inserted, e.g., a vein or artery. The forces to which a catheter is subjected

often are simplified compared to other medical implements, consisting mainly of drag forces. Therefore, a less complex virtual reality device is desirable for certain applications.

### Disclosure Of The Invention

5 The present invention provides a human/computer interface tool which is particularly well adapted to simulations requiring between two and four degrees of freedom, and especially two degrees of freedom, such as for simulations of catheter procedures. Thus, it will be appreciated that the present invention provides a less complex, more compact, lighter weight, lower inertia and less expensive alternative to a six degree of freedom human/computer interface tool than heretofore available. In particular, the present invention includes a means for  
10 providing to a user a highly realistic force feedback to produce the sorts of tactile sensations associated with catheter procedures.

In one embodiment, the present invention includes an apparatus for interfacing the motion of an elongated flexible object capable of translation and rotation with an electrical system, which apparatus includes (a) an object receiving portion and (b) a rotation transducer  
15 coupled to the object receiving portion, which rotation transducer is adapted to determine rotational motion of the elongated flexible object; thereby providing an electromechanical interface between the elongated flexible object and the electrical system. An especially preferred embodiment is one wherein the electrical system is a digital electrical system.

In a preferred embodiment, the rotation transducer comprises a disk including an  
20 aperture dimensioned to receive the elongated flexible object. The disk is coupled with a hollow shaft that is dimensioned to engagedly receive the object. The hollow shaft includes at least one bend. The shaft may further include at least two substantially parallel sections. In one especially preferred embodiment, the hollow shaft includes two bends in substantially opposing directions and three substantially parallel sections. In still another preferred embodiment, the  
25 apparatus of the invention includes an actuator to engage the elongated flexible object and a translation transducer coupled to the object receiving portion which is adapted to determine translational motion of the elongated flexible object.

In a preferred alternative embodiment, a second actuator and a second transducer are  
30 coupled to the object receiving portion and are disposed between the actuator and the translation transducer and the rotation transducer. In still another alternative embodiment, the apparatus of the invention is mounted on a gimbal apparatus including a support and a gimbal mechanism having a base, a first portion of which base is rotatably mounted to the support and a second portion of which base is rotatably mounted to the object receiving portion. An actuator and translation and rotation transducers are further coupled with the object receiving portion. The  
35 rotation transducer includes a disk including an aperture dimensioned to receive the elongated

flexible object. The disk is coupled with a hollow shaft that is dimensioned to engagedly receive the object. The hollow shaft includes at least one bend.

In yet another aspect, the present invention includes a human/computer interface including a shaft receiving portion; an elongated flexible shaft engaged with the shaft receiving portion having a grip area to be grasped by the operator; a first sensor to detect translation  
5 motion of the shaft; and a second sensor to detect rotational motion of the shaft, wherein the second sensor includes a disk including an aperture dimensioned to receive the elongated flexible object. The disk is coupled with a hollow shaft that is dimensioned to engagedly receive the object. The hollow shaft includes at least one bend.

10 These and other advantages of the present invention will become apparent to those skilled in the art upon a reading of the following descriptions of the invention and a study of the several figures of the drawings.

#### Brief Description Of The Drawings

15 Figure 1 is an illustration of a computer/human interface system in accordance with the present invention.

Figures 2, 2A and 2B are illustrations of an apparatus for interfacing the motion of an elongated flexible object capable of translation and rotation with a computer system. Figure 2 illustrates an apparatus for interfacing the motion of an elongated flexible object, including rotation and translation transducers. Figure 2A is an illustration of an actuator for engaging an  
20 elongated flexible object. Figure 2B is an illustration of a device for determining the translation of an elongated flexible object.

Figures 3A and 3B illustrate a hollow shaft used for determining the rotation of an elongated flexible object. Figure 3A illustrates a side view of the shaft, including a depression of depth "D". Figure 3B is a cross section of Figure 3A, taken along the line 3B-3B.

25 Figures 4A and 4B illustrate a second configuration of a shaft used to determine the rotation of an elongated flexible object. Figure 4A illustrates a side view of the shaft, having a bend of depth "D". Figure 4B is an illustration of a cross section taken along line 4B-4B as the shaft is rotated through 360°.

30 Figures 5A, 5B, 5C, 5D, 5E, 5F and 5G illustrate rotation sensors in accordance with the present invention. Figure 5A illustrates one embodiment of a rotational sensor of the invention including a shaft coupled to a disk. Figure 5B illustrates a second rotational sensor including a disk having an aperture dimensioned to engagedly receive a shaft. Figure 5C illustrates another rotational sensor embodiment wherein a disk includes a key dimensioned to receive a shaft having a flat. Figure 5D illustrates a rotational sensor fixedly coupled to a shaft.

Figures 5E, 5F and 5G each illustrate an embodiment of the invention wherein the rotation of a shaft is determined using an optical encoder.

Figure 6 is an illustration of two apparatuses of the invention arranged in a tandem configuration.

5 Figure 7 is an illustration of an apparatus of the invention mounted on a gimbal mechanism.

### Best Modes For Carrying Out The Invention

In Figure 1, a virtual reality system 100 used to simulate a medical procedure including a human/computer interface apparatus 102, a electronic interface 104 and a computer 106 is shown. The illustrated virtual reality system 100 is directed to a virtual reality simulation of a catheter procedure. The software of the simulation is not a part of this invention and thus will not be discussed in any detail. However, such software is commercially available. Suitable software drivers which interface such simulation software with computer input/output (I/O) devices are also available commercially, *e.g.*, from Immersion Human Interface Corporation of Palo Alto, California, USA.

A catheter 108 used in conjunction with the present invention is manipulated by an operator and virtual reality images are displayed on a screen 110 of the digital processing system in response to such manipulations. Preferably, the digital processing system is a personal computer or workstation, such as an IBM-PC AT or Macintosh personal computer, or a SUN or Silicon Graphics workstation. Most commonly, the digital processing system is a personal computer which operates under the MS-DOS operating system in conformance with an IBM PC AT standard.

In addition to a standard catheter 108, the human/interface apparatus 102 includes a barrier 112 and a "central line" 114 through which the catheter is inserted into the body. The barrier 112 is used to represent portion of the skin covering the body of a patient. Preferably barrier 112 is formed from a mannequin or other life-like representation of a body or body portion, *e.g.*, the torso, arm or leg. Central line 114 is inserted into the body of the patient to provide an entry and removal point from the body of the patient for the catheter 108, and to allow the manipulation of the distal portion of the catheter 116 within the body of the patient while minimizing tissue damage. Catheter 108 and central line 114 are commercially available from sources such as Target Therapeutics of Fremont, California, USA and U.S. Surgical of Connecticut, USA. Preferably, the catheter 108 is modified such that the end of the tool (such as any cutting edges) are removed, leaving only the handle and the shaft. The end of the catheter tool 108 is not required for the virtual reality simulation, and is removed to prevent any potential damage to persons or property.

The catheter 108 includes a handle or "grip" portion 116 and a shaft portion 118. The grip portion can be any conventional device used to manipulate the catheter, or the grip may comprise the shaft portion itself. The shaft portion is an elongated flexible object and, in particular, is an elongated cylindrical object. The present invention is concerned with tracking  
5 the movement of the shaft portion 118 in three-dimensional space, where the movement has been constrained such that the shaft portion 118 has only two, three or four degrees of motion. This is a good simulation of the typical use of a catheter 108 in that once the catheter is inserted into a patient, it is limited to about two degrees of freedom. More particularly, the shaft 118 is constrained at some point of along its length such that it can move with two degrees of freedom  
10 within the patient's body.

While the present invention will be discussed with reference to the shaft portion 118 of catheter tool 108, it will be appreciated that a great number of other types of objects can be used with the method and apparatus of the present invention. In fact, the present invention can be used with any elongated mechanical object where it is desirable to provide a human/computer  
15 interface with three or four degrees of freedom. Such objects may include catheters, hypodermic needles, wires, fiber optic bundles, screw drivers, pool cues, etc. Furthermore, although the described preferred embodiment of the present invention contemplates the use of a elongated cylindrical mechanical object, other embodiments of the present invention provide a similar human/computer interface for an elongated mechanical objects which are not cylindrical  
20 in shape.

The electronic interface 104 is a part of the human/computer interface apparatus 102 and couples the apparatus 102 to the computer 106. More particularly, interface 104 is used in preferred embodiments to couple the various actuators and sensors contained in apparatus 102 (which actuators and sensors are described in detail below) to computer 106. An electronic  
25 interface 104 that is particularly well adapted for the present is described in U.S. Patent Application Serial No. 08/092,974, filed July 16, 1993 and entitled "3-D Mechanical Mouse" which application is assigned to the assignee of the present invention and incorporated herein by reference in its entirety. The electronic interface described therein was designed for the Immersion PROBE™ 3-D mechanical mouse and has six channels corresponding to the six  
30 degrees of freedom of the Immersion PROBE. However, in the context of the present invention, the electronic interface 104 requires the use of only two, three or four of the six channels, since the present invention is preferably constrained to no more than two, three or four degrees of freedom.

The electronic interface 104 is coupled to a human/computer interface apparatus 120 of  
35 the apparatus 102 by a cable 122 and is coupled to the computer 106 by a cable 124. In some embodiments of the present invention, interface 104 serves solely as an input device for the computer 106. In other embodiments of the present invention, interface 104 serves solely as an



output device for the computer 106. In yet other embodiments of the present invention, the interface 104 serves as an input/output (I/O) device for the computer 106.

Apparatus 120 is shown in greater detail at 200 in Figure 2. Apparatus 200 includes an object receiving portion 202 into which an elongated flexible object 204, such as a catheter, is introduced through aperture 205. Elongated flexible object 204 passes through the interior of object receiving portion 202, the interior of which receiving portion includes one or more electromechanical transducers coupled with the object receiving portion and associated with the elongated flexible object, such as actuator 206 and translation transducer 208. The elongated flexible object 204 exits the object receiving portion 202 through a second aperture 209 whereupon the elongated flexible object passes through rotational transducer 210 which rotational transducer is rotatably coupled to the object receiving portion.

The object receiving portion 202 is preferably fashioned from a unitary mass of material made from aluminum or some other lightweight material, such as a plastic, that preferably is cast, molded, and/or machined as a monoblock member having the aforementioned actuator, translation transducer and rotation transducer. The object receiving portion can also be a housing to which various acutators, transducers and sensors are coupled.

The terms "associated with", "related to", or the like are meant to indicate that the electromechanical transducer is influenced by or influences one of the degrees of freedom of the elongated flexible object 204. The electromechanical transducers can be input transducers, in which case they sense motion along a respective degree of freedom and produce an electrical signal corresponding thereto for input into computer 106. Alternatively, the electromechanical transducers can be output transducers which receive electrical signals from computer 106 that cause the transducers to impart a force on the object in accordance with their respective degrees of freedom. The electromechanical transducers can also be hybrid or bi-directional transducers which operate both as sensors and as actuator devices.

A variety of transducers, readily available in the commercial market, are suitable for use in the present invention. For example, if the transducers are input transducers ("sensors"), such sensors can include encoded wheel transducers, potentiometers, optical encoders, etc. Output transducers ("actuators") include stepper motors, servo motors, magnetic particle brakes, friction brakes, pneumatic actuators, etc. Hybrid or bi-directional transducers often pair input and output transducers together, but may also include a purely bi-directional transducer such as a permanent magnet electric motor/generator.

It should be noted that the present invention can utilize both absolute and relative sensors. An absolute sensor is one which the angle of the sensor is known in absolute terms, such as with an analog potentiometer. Relative sensors only provide relative angle information, and thus require some form of calibration step which provides a reference position for the

relative angle information. The sensors described herein are primarily relative sensors. In consequence, there is an implied calibration step after system power-up wherein the shaft is placed in a known position within the gimbal mechanism and a calibration signal is provided to the system to provide the reference position mentioned above. All angles provided by the sensors are thereafter relative to that reference position. Such calibration methods are well known to those skilled in the art and, therefore, will not be discussed in any great detail herein.

In a preferred embodiment, actuator 206 is a solenoid comprising a base/sensor portion 212 to which is coupled a lower interface 214 by a shaft 216. The lower interface portion 214 engages elongated flexible object 204 against upper interface portion 218 by applying a force in a direction substantially perpendicular to the direction of translation of the elongated flexible object 204, which direction is indicated by the linear bi-directional arrow, to produce thereby a frictional force along the direction of translation of the object 204. Such solenoids are available commercially from, *e.g.*, Guardian Electric (Woodstock, IL, USA). It will be appreciated that other actuator devices may be employed in the invention, *e.g.*, magnetic particle brakes, such as those available commercially from, *e.g.*, Force Limited (Santa Monica, CA, USA). In addition actuator 206 can also be a pneumatic or hydraulic device which applies a force to elongated flexible object 204. It will be appreciated by those of skill in the art that the choice of a electromechanical, electromagnetic, pneumatic or hydraulic actuator will depend in part on the response time, cost and complexity of the device. Preferably, the actuator has a response time suitable for realistic simulations (*i.e.*, a fast response time), a low cost and low complexity. Electromechanical/electromagnetic transducers are preferred as they typically have a fast response time, low cost are smaller and simpler than hydraulic and pneumatic devices performing the same or similar function.

Figure 2A illustrates a preferred solenoid embodiment at 238. Solenoid 238 includes a base/sensor portion 240 which is coupled with a lower interface 242 through a reciprocating shaft 244. Lower interface 242 comprises a platform 246 which is coupled with shaft 244 and upon which platform is coupled an optional resilient pad 246 and a brake pad 250. Resilient pad 246 comprises a substance which effective to act as a shock absorber, such as rubber, and is optional. Brake pad 250 comprises a substance which is effective to stop or slow the translational motion of elongated flexible object 204 when the lower interface 242 engages the elongated flexible object 204 against upper interface 252. The materials appropriate for the optional shock absorber and brake pad will be apparent to those of skill in the art. Upper interface 252 includes a fixed support 254 which may be coupled to the object receiving portion or to the base/sensor 240. To the fixed support 254 is coupled a second resilient pad 256 and a second brake pad 258, both of which are comprised of the same materials as resilient pad 246 and brake pad 250.

Referring back to Figure 2, in a preferred embodiment, translation transducer 208 includes a wheel 200 which wheel is mounted on a shaft 222 coupled to a sensor 224 which sensor is coupled to object receiving portion 202 by a base 226. Translation transducer 208 is adapted to determine translational motion of elongated flexible object 204 by sensing positions of the elongated flexible object along the direction of translation thereof and producing electrical signals corresponding to the positions, as illustrated in Figure 2B. Wheel 220 engages elongated flexible object 204 with a normal force (downward arrow) such that translation of elongated flexible object 204 (indicated by the bi-directional linear arrow) causes rotation of shaft end 246 (indicated by the bi-directional curved arrow) creating an electrical signal from sensor 224 (not shown) which is recorded by interface 104 (also not shown). It will be appreciated that translation transducer 208 could also be an output transducer (actuator) and apply a frictional braking force to elongated object 204 to simulate such effects as drag experienced by the catheter as the catheter traverses various vessels in the body. Such transducers are well known in the art and available commercially. One preferred transducer is an optical encoder model SI marketed by U.S. Digital of Vancouver, Washington USA. This transducer is an encoded wheel type input transducer. A preferred output transducer for use of the present invention is a d.c. motor model 2434.970-50 produced by Maxon of Fall River, Massachusetts USA. This type of transducer is a servo motor type output transducer.

Referring back to Figure 2, rotation transducer 210 is rotatably coupled to object receiving portion 202 to determine the rotational motion of elongated flexible object 204. Rotational transducer 210 includes a disk 228 coupled with a hollow shaft 232. Preferably, the disk and hollow shaft are attached, *e.g.*, by gluing or press fitting, to provide a substantially unitary device. The disk 228 includes an aperture (not shown) dimensioned to receive the elongated flexible object and the hollow shaft is dimensioned to receivably engage the elongated flexible object such that disk 228 substantially tracks the rotational motion of the elongated flexible object 204; yet provides minimal translational friction. As the disk rotates in response to the rotational motion of the elongated flexible object, the rotation of the disk is detected by sensor 230, as will be described in greater detail below.

Hollow shaft 232 is illustrated in greater detail in Figure 3A which provides a cut-away view of the elongated object and the hollow shaft at 300. Hollow shaft 302 is preferably made from stainless steel. The hollow shaft is dimensioned to engagably receive elongated object 304 with a gap 306 between hollow shaft 302 and elongated flexible object 304 sufficient to allow translation of the elongated flexible object without substantial interference from the interior surface of the hollow shaft; yet small enough that the hollow shaft rotates substantially continuously with the elongated flexible object.

Gap 306 is further illustrated in Figure 3B, a cut-away view taken along the line 3B-3B of Figure 3A, where the size of the gap is denoted "d". Generally d is chosen such that the

hollow and shaft and the elongated flexible object have a tight engaging fit. Preferably the diameter of the hollow shaft is between about 120% and about 150% of the diameter of the elongated flexible object, i.e., the size of the gap is between about 20% and about 50% of the diameter of the elongated flexible object. For example, where the elongated flexible object has a diameter of about 0.02 inches, preferred values for  $d$  are between about 0.001 inches and about 0.010 inches and, more preferably, between about 0.003 inches and about 0.006 inches. The hollow shaft can further include substances to increase or decrease the friction between the interior wall of the hollow shaft and the surface of the elongated flexible object. Such substances are known to persons of skill in the art.

Referring back to Figure 3A, hollow shaft 302 further includes at least one bend, such as that shown generally at 308, where two bends in substantially opposite directions are illustrated. In preferred embodiments one or two bends included in the hollow shaft. Preferably the sections of the hollow shaft on each side of the bend(s) are substantially parallel. The bend(s) function to allow the hollow shaft and disk 228 to track the rotational motion of the elongated flexible object while offering little impedance to the translational movement of the elongated flexible object.

The depth of the bend is denoted by "D". Generally D is chosen such that the hollow shaft and elongated flexible object have the desired rotation tracking and translation characteristics. It has been found that preferred values for D depend on several factors, including the stiffness of the elongated object and the tightness of fit between the hollow shaft and the elongated flexible object. Stiffer elongated objects typically require a smaller value of D to achieve desirable rotation and translation properties for a given gap  $d$  than more flexible objects having the same value of  $d$ . For example, for values of  $d$  between about 0.002 and 0.010 inches, D is preferably between about 0.05 and about 0.20 inches, respectively.

Figure 4A illustrates a second preferred embodiment of the hollow shaft at 400, wherein a single bend 402 is placed in hollow shaft 404, which hollow shaft includes elongated flexible object 406 and gap 408, to divide the hollow shaft into two substantially parallel sections. Figure 4B illustrates a cut-away view taken along line 4B-4B of Figure 4A as the hollow shaft and elongated flexible object are rotated through 360°.

Figure 5A at 500 illustrates a preferred embodiment of rotation transducer 210 of Figure 2. In a preferred embodiment, rotation transducer 500 includes a disk 502 rotatably coupled with object receiving portion 504 for rotation by hollow shaft 506 and elongated flexible object 508. The disk is preferably made from a clear, plastic material and is provided with a number of dark radial bands 510 near its circumference, such as by printing or silk screening. A photodetector pair 512 including a light source 512a and a detector 512b are positioned on opposing sides of disk 502 in alignment with the bands 510. As disk 502 rotates around an axis A, the bands 510 alternatively allow light emanating from light source 512a to impinge or not

impinge upon the detector 512b. The electronic interface 104, coupled to the photodetector 512 -  
by cable 514, counts the bands 510 as they pass the photodetector 512b to provide a signal on  
cable 122 to the computer 106 indicating the rotational position of the hollow shaft 506 and  
elongated flexible object 508 around axis A. The photodetector may also be provided as two  
5 pairs of photodetectors to determine the direction of rotation, as is well known to those skilled in  
the art of sensor design and described in co-pending U.S. Patent Application Serial No.  
08/275,120.

Figure 5B illustrates an alternate embodiment of the rotation transducer at 518, wherein  
disk 520 tracks the rotation of shaft 522 extending engagably through an aperture 524 in disk  
10 520. The engagement between shaft 522 and disk aperture 524 preferably is accomplished by  
the formation of a frictional seal between the disk aperture and shaft, as described in greater  
detail in co-pending U.S. Patent Application Serial No. 08/275,120. Figure 5C illustrates a  
second alternate embodiment at 530, wherein disk 532 is engaged with shaft 534 including a flat  
535, which shaft extends through a key way 536 dimensioned to receivably engage shaft 534  
15 and flat 535. This embodiment is also discussed in U.S. Patent Application Serial No.  
08/275,120. Both disks 520 and 532 include dark radial bands near their circumferences to be  
used in conjunction with a photodetector as described above.

In yet another alternate preferred embodiment, shown in Figure 5D at 540, the rotation  
transducer comprises a disk 542 including a sleeve 544 dimensioned to receive and fixedly hold  
20 an end portion 548 of shaft 546. The sleeve is rotatably coupled to a bearing 550 which bearing  
is coupled to a wall of the object receiving portion. Disk 542 is preferably provided with a  
number of dark radial bands near its circumference, such as by printing or silk screening, for  
use with an optical rotation detector as just described. It will be appreciated, however, that this  
embodiment does not allow translation of shaft 546 through disk 542.

Two additional alternative embodiments are described with respect to Figures 5E, 5F  
and 5G. Figure 5E at 560 illustrates an embodiment wherein object receiving portion 562,  
including an actuator and translation transducer shown generally at 563 and as described above  
with respect to Figure 2, contact shaft 564 which shaft is fixedly engaged with a fixed rotary  
sensor 566, the sensor comprising an optical encoder 568 which is coupled by a connection 570  
30 to interface 104. Rotational motion at the end of the shaft 564 (see arrow) is sensed by the  
optical encoder which transmits signals to the interface for analysis by computer 106.  
Translational motion is also accommodated as illustrated in Figure 5F. There, translation of the  
wire in the direction of the optical encoder causes buckling of the wire as illustrated by the raised  
portion of the curve 572. Translation away from the encoder returns the wire to a substantially  
taught, substantially straight, condition as illustrated by the dashed line. Translational motion in  
35 either direction is detected as described above. Optical encoders and their interfacing with  
computer devices are known to those of skill in the art.

Figure 5G illustrates an alternate embodiment at 580 wherein the object receiving portion 582 which fixedly receives shaft 564 is positioned laterally from optical encoder 586 to thereby create a bend in shaft 584 as indicated at 588. Rotational motion at the distal end of the shaft is sensed at the optical encoder while translational motion is sensed as described above. The translational motion of the shaft in the direction of the optical encoder is accommodated by the extension of the bend of the shaft from the position shown at 588 (solid line) to 590 (dashed line). Again, the use of optical encoders is known to those of skill in the art.

In some applications, it will be preferable to link two apparatuses of the invention in tandem. For example, in an "epidural" procedure, the physician or practitioner first inserts a large bore needle into the patient through which needle a catheter is inserted. Thus, simulation of an epidural procedure requires simulating independently the responses associated with the insertion of the needle and the responses associated with the insertion of the catheter.

A preferred tandem configuration for simulating a procedure such as an epidural procedure is shown in Figure 6 at 600. First and second object receiving portions 602 and 604 respectively are placed in an adjoining configuration, indicated by the dashed lines, and are substantially identical to object receiving portion 202 described above with respect to Figure 2. Both object receiving portions 602 and 604 are adapted to receive "epidural" device 606, which device includes external shaft 608 and elongated flexible object 610 which object can be coupled to an external control such as handle 612. Within object receiving portion 602 is preferably included actuator 614, which actuator includes a base/sensor 616, a lower interface portion 618 and a shaft 620, in addition to upper interface portion 622 which is coupled to support 624. Object receiving portion 602 also preferably includes translation transducer 626, which transducer includes wheel 628 and sensor 630. Similarly, object receiving portion 604 includes preferably actuator 632, which actuator includes a base/sensor 634, a lower interface portion 636 and a shaft 638, in addition to upper interface portion 640 which is coupled to support 642. Object receiving portion 604 also preferably includes translation transducer 644, which transducer includes wheel 646 and sensor 648. The actuators and transducers, and their respective components, are all substantially identical to those described above with respect to Figure 2.

Object receiving portion 604 is further rotatably coupled to rotation transducer 650, which transducer includes disk 652 and sensor 654. Disk 652 is coupled to hollow shaft 656 which is dimensioned to engagably receive elongated flexible object 610. Rotation transducer 650, including disk 652, sensor 654 and hollow shaft 656 are of substantially identical to those analogous components discussed above with respect to Figure 5A. It will be appreciated that the alternative rotation sensor embodiments discussed above with respect to Figures 5B-5G can be used as well.

In addition to the configuration shown in Figure 6, a second preferred configuration, not shown, is one wherein either actuator 614 or transducer 626 is omitted. It will also be appreciated that the actuators and transducers may be combined in a single object receiving portion.

5            In another preferred embodiment, the object receiving portion is part of a gimbal apparatus as shown at 700 in Figure 7. In the perspective view of Figure 7, the gimbal apparatus 700 of the present invention is illustrated in some detail. The gimbal apparatus 700 preferably includes object receiving portion 702, a U-shaped base portion 704 and a support 706. The U-shaped base portion is rotatably coupled to the support and includes a base 708 and  
10            a pair of substantially parallel legs 710a and 710b extending upwardly therefrom that are capable of rotation about axis  $A_1$ . As used herein, "substantially parallel" will mean that two objects or axis are exactly or almost parallel, *i.e.*, the legs are at least within five or ten degrees of parallel, and are preferably within less than one degree of parallel. Similarly, the term "substantially perpendicular" will mean that two objects or axes are exactly or almost perpendicular, *i.e.*, the  
15            legs are at least within five degrees or ten degrees of perpendicular, and, more preferably, within less than one degree of perpendicular.

The elongated flexible object receiving portion 702 is provided with object inlet portion 712 which object inlet portion includes an aperture 714 extending entirely through the object receiving portion. The aperture 714 defines an object axis  $A_0$  for an elongated flexible object,  
20            such as the shaft portion 118 of the catheter 108 of Figure 1. The object inlet portion 712 is at least partially disposed between the legs 710a and 710b of the U-shaped base portion, and is pivotally coupled thereto such as by a pair of pivots, one of which is shown as pivot 716a in leg 710a, which pivot lies on axis  $A_2$ . Another pivot 716b (not shown) is provided in leg 710b. Axes  $A_1$  and  $A_2$  are substantially mutually perpendicular and intersect at an origin point O within  
25            object inlet portion 712. Axis  $A_0$  also intersects this origin O and is substantially perpendicular to axes  $A_1$  and  $A_2$ .

The object receiving portion 702 also includes a actuator interface 718 and a translation interface 719. In some preferred embodiments, a second actuator interface 720 and a second translation interface 721 may be included as shown. The object receiving portion 702 includes a  
30            bearing section 722, an actuator section 724, a translation sensor section 725, and optionally a second actuator section 726 and translation section 727 as shown. The object receiving portion also includes rotation sensor section 728. The bearing section 722 includes a mass of material provided with a cylindrical bore 730 forming a portion of the aperture 714. The actuator sensor section 724 includes a pair of opposing wall surfaces 732a and 732b, each of which is provided  
35            with a cylindrical bore receptive to the cylindrical object and forming a part of the aperture 714 which extends through the object receiving portion. The translation sensor section 725 includes a pair of opposing wall surfaces 734a and 734b of a wall and which are provided with

cylindrical bores receptive to the elongated flexible object and therefore also forming a part of the aperture 714. Optional second actuator sensor section 726 and translation section 727 include opposite facing walls 738a and 738b and 740a and 740b, respectively, which walls are analogous to the walls of actuator sensor section 724 and translation sensor section 725 just described. In consequence, when an elongated flexible object is inserted into the object inlet portion 712 along axis  $A_0$  it engages the bore 730 of the bearing section 722, and extends through bores provided in the surfaces 732a, 732b, 734a, and 734b (and, optionally, surface 738a, 738b, 740a and 740b) to extend completely through the object receiving portion 702 along the aperture 714. In another embodiment of the present invention, walls 735, 746 and 742 are (and therefore their associated wall surfaces) are eliminated, either singly or in combination, as being superfluous.

The object receiving portion 702 is preferably a unitary mass of material made from aluminum or some other lightweight material such as a plastic, preferably cast, molded, and/or machined as a monoblock member having the aforementioned bearing section, translation sensory section, and rotation sensory sections. The materials and construction of U-shaped base portion 704 preferably match the materials and construction techniques used for the production of object receiving portion 702.

The gimbal apparatus 700 illustrated in Figure 7 constrains an object that is engaged with the object receiving portion 702 to four degrees of freedom. This is accomplished by allowing the U-shaped base portion 704 to rotate around an axis  $A_1$  relative to the support 706, by allowing the object receiving portion 702 to rotate around an axis  $A_2$  relative to the U-shaped base portion 704, by allowing the object to translate as illustrated by the bi-directional arrow "T" along axis  $A_0$  of aperture 714, and by allowing the object to rotate as indicated by arrow "R" around the axis  $A_0$  of aperture 714.

Depending on whether one or two actuator/translation sensor pairs are used, as few as four and as many as six electromechanical actuators and transducers are used in association with these four degrees of freedom. More particularly, a first degree of freedom electromechanical transducer 744 is coupled between the U-shaped base portion 708 and the support 706, a second degree of freedom electromechanical transducer 746 is coupled between leg 710a of U-shaped base portion 708 and the object inlet portion 712, a third degree of freedom electromechanical actuator 748, including lower interface 750 and upper interface 752, is coupled between the object receiving portion 702 and an object engaged with the object receiving portion 702, a third degree of freedom electromechanical transducer wheel 754 and sensor 756 is also coupled between the object receiving portion 702 and an object engaged with the object receiving portion 702. Optionally, a second third degree of freedom actuator 758, including upper and lower interfaces 760 and 762 respectively, and a second third degree of freedom transducer wheel 764 and sensor 766 can be coupled as just described for actuator 748



and translation transducer 756. A fourth degree of freedom transducer 768, including disk 770, hollow shaft 772 and sensor 774 as described above, is engaged between the object receiving portion 702 and an object engaged with the object receiving portion 702.

5 There a number of ways of attaching the actuators and transducers to the various members of the gimbal apparatus 700. In this preferred embodiment, a housing of transducer 744 is attached to the U-shaped base portion 704, and a shaft of the transducer extends through an oversize bore (not shown) in base 708 to engage a press-fit bore (also not shown) in support 706. Therefore, rotation of the U-shaped base portion 704 around axis  $A_1$  will cause a rotation of a shaft of transducer 744. A housing of transducer 746 is attached to leg 710a of the U-shaped base portion 704 such that its shaft forms pivot 716a. Therefore, rotation of the object receiving portion 702 around axis  $A_2$  will cause a rotation of the shaft of a second transducer 746. Actuator sensor 748 is attached to a wall of actuator section 724, and a shaft of the actuator extends through a bore in the wall to connect lower interface 750 to the actuator sensor. Upper interface 752 is fixedly attached to a wall of actuator section 748. The transducer 756 is attached to object receiving portion 702 and extends through a bore (not shown) in a wall 776 of the translation sensor section 725. The shaft of wheel 754 provides the axis for the translation interface 719 and rotates with the rotation of the translation interface 719. Optional actuator section 726 and translation section 727 are constructed analogously. Disk 770 is rotatable coupled to a wall 778 of rotation sensor section 768 and extends through a bore 780 in wall 778. A photodetector 774 is attached to wall 778 and engages a circumferential surface of disk 770 to sense the rotation thereof.

With reference to all of the Figures, and with particular reference to Figures 1 and 7, the shaft 118 of a catheter 108 is inserted into aperture 714 along axis  $A_0$ , causing the shaft 118 to frictionally engage the actuator interface 718 and the translation interface (wheel) 719. In this instance, the translational interface 719 is a friction wheel made out of a rubber-like material. The shaft 118 is also in engagement with the rotation interface 768 and extends through hollow shaft 772. Rotation of the shaft 118 around the axis  $A_0$  as illustrated by the arrow "r" will cause a rotation of disk 770 which is registered on sensor 774. A translation of the shaft 118 along axis  $A_0$ , however, will not be affected appreciably by hollow shaft 772 or disk 770, but will cause a rotation of the friction wheel 754 which rotates the shaft of the transducer 756. A movement up or down of the catheter 108 will cause a rotation of the shaft (pivot) 716a of transducer 746, and a side-to-side pivoting of the catheter 108 will cause a rotational about axis  $A_1$  which is detected by transducer 744.

In an embodiment wherein catheter 108 is an "epidural" instrument, the translational and rotational movements of the catheter will be tracked as just described, except that the translation section 727 and actuator section 726 will be used. The translational motion of the "needle" will

be handled by translation section 725 and actuator 724 as described above for the case where a catheter is inserted through aperture 714.

To this point, the majority of the discussion has been under the assumption that the transducers are input transducers, *i.e.*, the human/computer interface device is used as an input device to the computer 106. However, it is also been mentioned that the interface device 102 can serve as an output device for the computer 106. When used as an output device, output transducers ("actuators") are used to respond to electrical signals developed by the computer 106 to impart a force upon the shaft 118 of catheter 108. This can provide useful movement and force (haptic) feedback to the doctor/trainee or other user. For example, if the catheter encounters a heavily occluded vessel in the "virtual" patient, a force can be generated by actuator 748 making it harder for the doctor/trainee to push the shaft 118 further into the gimbal apparatus 700. Likewise, twisting motions can be imparted on the shaft 118 when the shaft encounters an obstacle within the virtual patient.

It should be noted that force applied to the shaft may not result in any movement of the shaft. This is because the shaft may be inhibited from movement by the hand of the operator who is grasping a handle or grip portion of the shaft. However, the force applied to the shaft may be sensed by the operator as haptic feedback.

With reference to Figure 7, a method for mechanically interfacing an elongated mechanical object with an electrical system in accordance with the present invention includes first step of defining an origin in 3-dimensional space. This corresponds to the origin O at the intersection of axes A<sub>1</sub> and A<sub>2</sub>. A second step is to physically constrain an elongated object in the 3-dimensional space such that a portion of the object always intersects the origin O and such that a portion of the object extending from the origin O defines a radius in a spherical coordinate system. The elongated object (such as shaft 118 of catheter 108) is physically constrained in a 3-dimensional space by the aperture 714 of the object receiving portion 702. The portion of the shaft 118 extending from origin O defines the radius. A third step includes transducing a first electrical signal related to a first angular coordinate of the radius with a first transducer. This corresponds to the operation of transducer 744 which transduces a first electrical signal related to a first angular coordinate of the radius. A fourth step is transducing a second electrical signal related to a second angular coordinate of the radius. This corresponds to the operation of transducer 746 which transduces a second electrical signal. A fifth step is to transduce a third electrical signal related to the length of the radius, which corresponds to the operation of transducers 756 and/or 762. A sixth and final step is to electrically couple the transducers to an electrical system which, in this instance, is preferably a computer 106. An additional step transduces a fourth electrical signal related to a rotation of the object around an object axis which intersects the origin O. This step corresponds to the operation of rotation transducer 768. The transducers can be input transducers, output transducers, or bi-directional transducers.

It will be noted that the electrical system most frequently described in the present invention is a digital processing system or a computer. However, other digital systems, analog systems, and simple electric or electromechanical system can also be utilized with the apparatus and method of the present invention.

5 It will also be noted that while specific examples of "elongated objects" and "shafts" have been given, these examples are not meant to be limiting. In general, equivalents of "elongated objects", "elongated cylindrical objects", "shafts" and the like, include any object which can be grasped by a human operator to provide an interface between the operator and a computer system. By "grasp", it is meant that operators may releasably engage a grip portion of  
10 the object in some fashion, such as by hand, with their fingertips, or even orally in the case of handicapped persons. The "grip" can be a functional grip or handle attached to an elongated portion of the object, or the grip can be a portion of the object itself (*i.e.*, the shaft, wire or catheter), such as a portion of the length of a shaft that can be gripped and/or manipulated by the operator.

15 It should also be noted that flexible shafts, such as wires or catheters, do not always require three or four degrees of freedom. For example, if a human/computer interface for a catheter insertion virtual reality system is desired, only a translation interface and a rotation interface such as illustrated in Figure 2 may be required. This is because a catheter can be moved in and out of a virtual patient (as sensed by translation interface 725) and can be twisted  
20 or rotated (as sensed by rotation interface 768), but cannot be, in any practical manner, moved up or down or from side-to-side due to the environmental constraints operating on the catheter. In such applications, therefore, it is desirable to have a human/computer interface with only two degrees of freedom. However, in some instances it is preferable to allow two extra degrees of freedom, such as those provided by gimbal apparatus 700, to fix an angle in three dimensions;  
25 thereby, creating a more difficult, and realistic, scenario for the operator/trainee.

While this invention has been described in terms of several preferred embodiments, it is contemplated that alternatives, modifications, permutations and equivalents thereof will become apparent to those skilled in the art upon a reading of the specification and study of the drawings. It is therefore intended that the following appended claims include all such alternatives,  
30 modifications, permutations and equivalents as fall within the true spirit and scope of the present invention.

Claims

1. An apparatus for interfacing the motion of an elongated flexible object capable of translation and rotation with an electrical system, comprising:
  - a) an object receiving portion; and
  - b) a rotation transducer coupled to said object receiving portion, said rotation transducer adapted to determine rotational motion of said elongated flexible object;whereby said transducer provides an electromechanical interface between said elongated flexible object and said electrical system.
2. An apparatus as recited in claim 1, wherein said rotation transducer comprises a disk, said disk including an aperture dimensioned to receive said elongated flexible object; and a hollow shaft coupled with said disk, said hollow shaft being dimensioned to engagedly receive said elongated flexible object, and said hollow shaft defining a path including at least one bend therein.
3. An apparatus as recited in claim 2, wherein said hollow shaft comprises at least two substantially parallel sections.
4. An apparatus as recited in claim 2, wherein said hollow shaft comprises two bends in substantially opposing directions and three substantially parallel sections.
5. An apparatus as recited in claim 1 further including an actuator coupled to said object receiving portion, said actuator adapted to engage said elongated flexible object.
6. An apparatus as recited in claim 5, further including a translation transducer coupled to said object receiving portion, said translation transducer adapted to determine translational motion of said elongated flexible object.
7. An apparatus as recited in claim 6, wherein said electrical system comprises a digital processing system.
8. An apparatus as recited in claim 7, wherein:
  - a) said actuator provides a force to said elongated flexible object in response to electrical signals from said digital processing system, said force being applied in a direction substantially perpendicular to the direction of translation of said elongated flexible object;

- b) said translation transducer senses positions of said elongated flexible object along the direction of translation of said elongated flexible object and produces electrical signals corresponding to said positions for said digital processing system; and
  - c) said rotation transducer senses positions of said elongated flexible object along the direction of rotation of said elongated flexible object and produces electrical signals corresponding to said positions for said digital processing system.
9. An apparatus as recited in claim 6, further including:
- a) a second actuator coupled to said object receiving portion, said actuator adapted engage said elongated flexible object; and
  - b) a second translation transducer coupled to said object receiving portion, said translation transducer adapted to determine motion of said elongated flexible object along the direction of translation of said elongated flexible object;
- wherein said second actuator and said second translation transducer are disposed between said actuator and said translation transducer and said rotation transducer.
10. An apparatus as recited in claim 6, further comprising:
- a) a support; and
  - b) a gimbal mechanism having a base wherein a first portion of said base is rotatably coupled to said support, and a second portion of said base is rotatably coupled to said object receiving portion such that the directions of rotation of said base and said object receiving portion are substantially orthogonal.
11. An apparatus for interfacing the motion of a human manipulated elongated flexible object having at least first and second degrees of freedom with an electrical system, comprising:
- a) a support;
  - b) a gimbal mechanism having a base wherein a first portion of said base is rotatably coupled to said support and a second portion of said base is rotatably coupled to an object receiving portion such that said base can be rotated in a first direction relative to said support and said object receiving portion can be rotated in a second direction relative to said base;
  - c) an actuator coupled to said object receiving portion, said actuator adapted to engage said elongated flexible object;

- d) a translation transducer coupled to said object receiving portion, said translation transducer adapted to determine translational motion of said elongated flexible object;
- e) a rotation transducer coupled to said object receiving portion to determine rotational motion of said elongated flexible object, said rotation transducer including:
  - i) a disk, said disk including an aperture adapted to receive said elongated flexible object, and
  - ii) a hollow shaft coupled with said disk, said hollow shaft being dimensioned to engagedly receive said elongated flexible object, and said hollow shaft defining a path including at least one bend therein;

whereby said actuator and said translation and rotation transducers provide an electromechanical interface between said human manipulated elongated wire-like object and said electrical system.

- 12. An apparatus as recited in claim 11, wherein said hollow shaft comprises at least two substantially parallel sections.
- 13. An apparatus as recited in claim 11, wherein said hollow shaft comprises two bends in substantially opposing directions and three substantially parallel sections.
- 14. An apparatus as recited in claim 11, wherein said electrical system comprises a digital processing system.
- 15. An apparatus as recited in claim 14, wherein:
  - a) said actuator provides a force perpendicular to the direction of translation of said elongated flexible object in response to electrical signals from said digital processing system;
  - b) said translation transducer senses positions of said elongated flexible object along the direction of translation and produces electrical signals corresponding to said positions for said digital processing system; and
  - c) said rotation transducer senses positions of said elongated flexible object along the direction of rotation of said elongated flexible object and produces electrical signals corresponding to said positions for said digital processing system.
- 16. An apparatus as recited in claim 15, wherein said actuator is a solenoid and said translation transducer includes a translation wheel having a translation wheel axis that is

substantially perpendicular to the direction of translation of said elongated flexible object, said translation wheel contacting a surface of said elongated flexible object such that translation of said object causes rotation of said wheel.

17. An apparatus as recited in claim 16, wherein said translation wheel is coupled to a rotational position sensor which provides, at least in part, electrical signals for said digital processing system.
18. An apparatus as recited in claim 15, wherein said rotation transducer has an axis of rotation which is substantially parallel to said direction of translation, and said rotation transducer is coupled to a rotational position sensor which provides, at least in part, electrical signals for said digital processing system.
19. An apparatus as recited in claim 15, further including:
  - a) a second actuator coupled to said support, said actuator adapted to engage said elongated flexible object; and
  - b) a second translation transducer coupled to said support, said second translation transducer adapted to determine motion of said elongated flexible object along the direction of translation of said elongated flexible object;

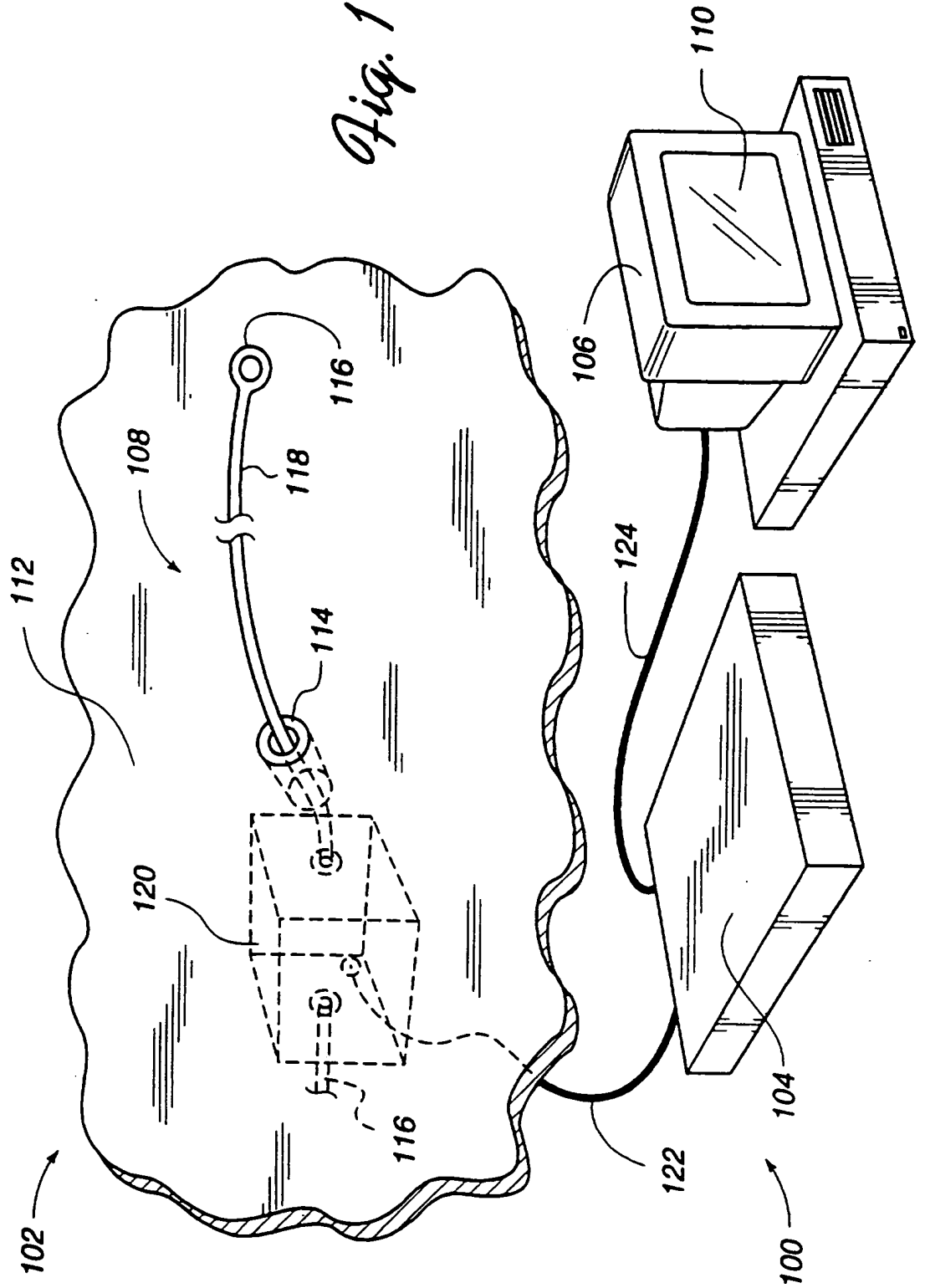
wherein said second actuator and said second translation transducer are disposed between said actuator and said translation transducer and said rotation transducer.

20. A human/computer interface apparatus, comprising:
  - a) a shaft receiving portion;
  - b) an elongated, flexible shaft engaged with said shaft receiving portion, said flexible shaft having a grip area to be grasped by the hand of an operator;
  - c) a first sensor coupled to said shaft receiving portion at a first intermediate portion of said shaft to detect translational movement of said shaft relative to said shaft receiving portion, said first sensor having a first output; and
  - d) a second sensor coupled to said shaft receiving portion at a second intermediate portion of said shaft to detect rotational movement of said shaft relative to said shaft receiving portion, said second sensor including:
    - i) a disk, said disk including an aperture dimensioned to receive said elongated flexible shaft, and

- ii) a hollow shaft coupled with said disk, said hollow shaft being dimensioned to engagedly receive said elongated flexible shaft, said hollow shaft defining a path including at least one bend therein.
21. An apparatus as recited in claim 20, further comprising a first actuator coupled to said shaft receiving portion to impart a translational force on said shaft.
22. An apparatus as recited in claim 20 wherein said flexible shaft is selected from the group consisting of wires and catheters.
23. An apparatus as recited in claim 20, wherein said hollow shaft comprises at least two substantially parallel sections.
24. An apparatus as recited in claim 20, wherein said hollow shaft comprises two bends in substantially opposing directions and three substantially parallel sections.



Fig. 1



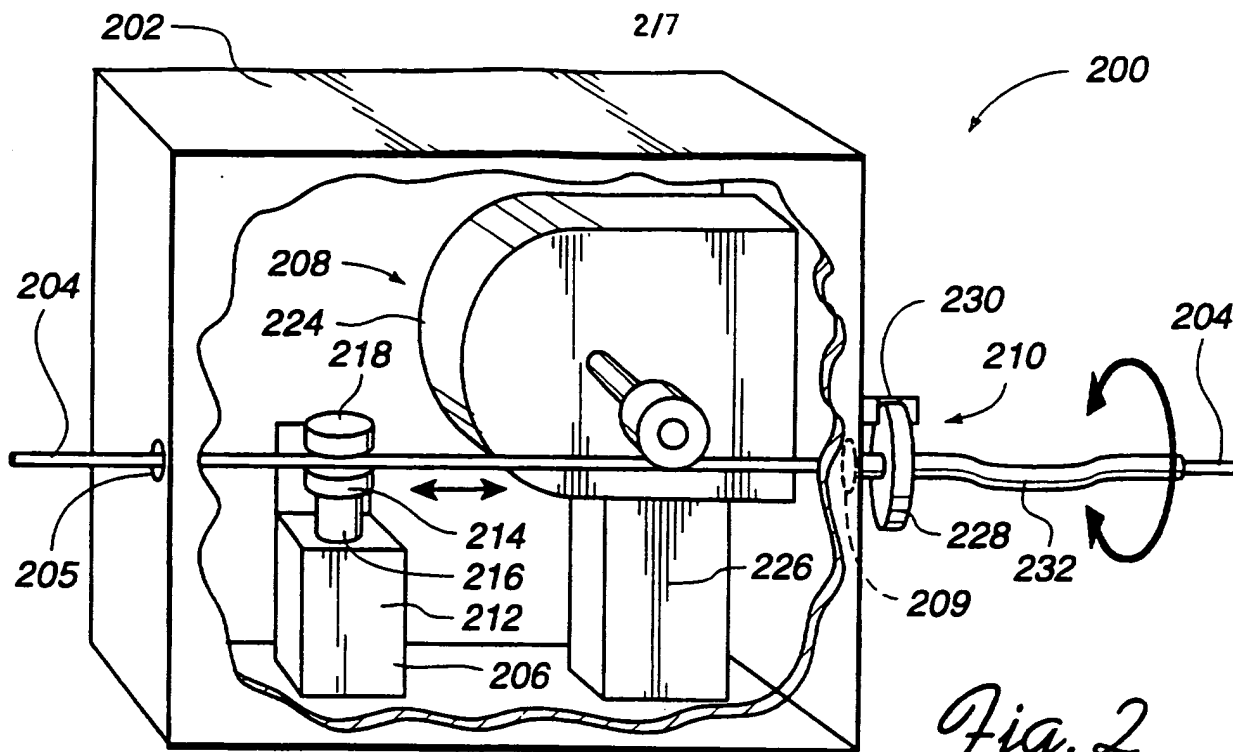


Fig. 2

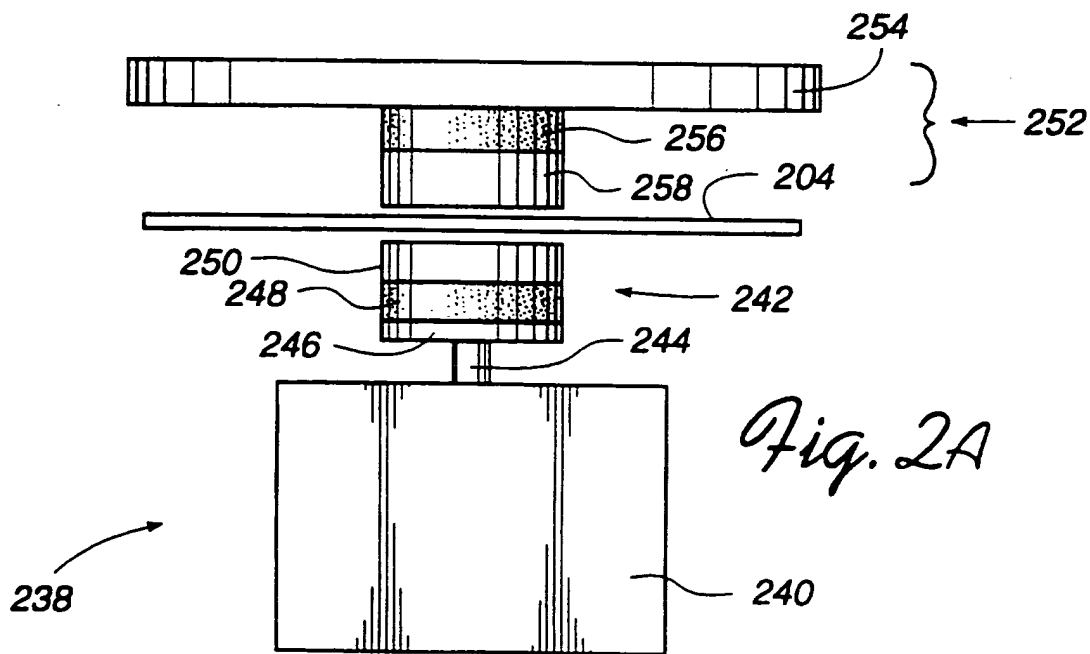


Fig. 2A

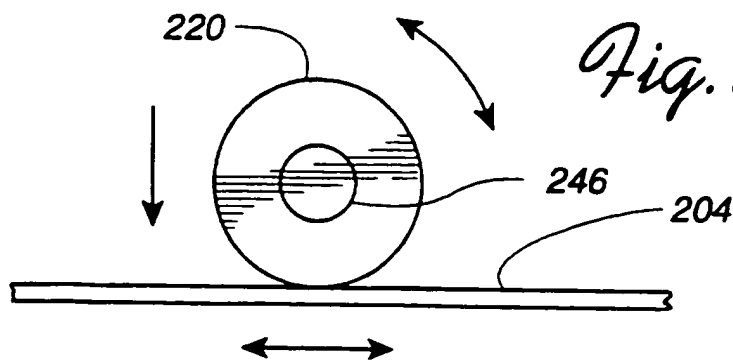
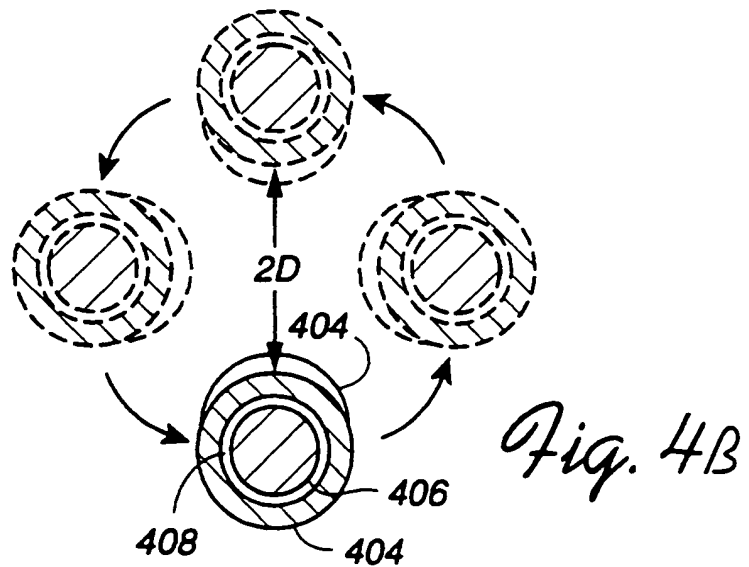
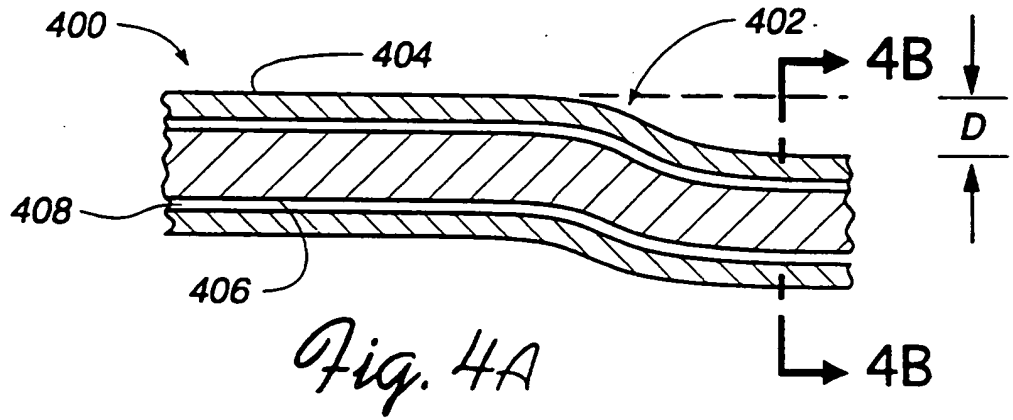
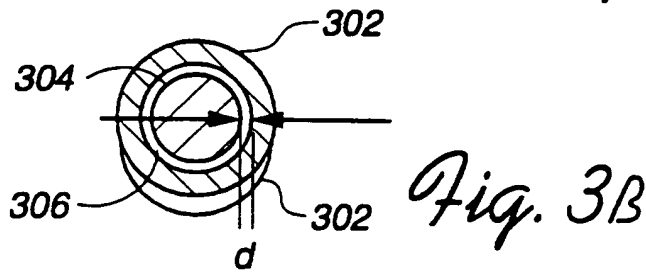
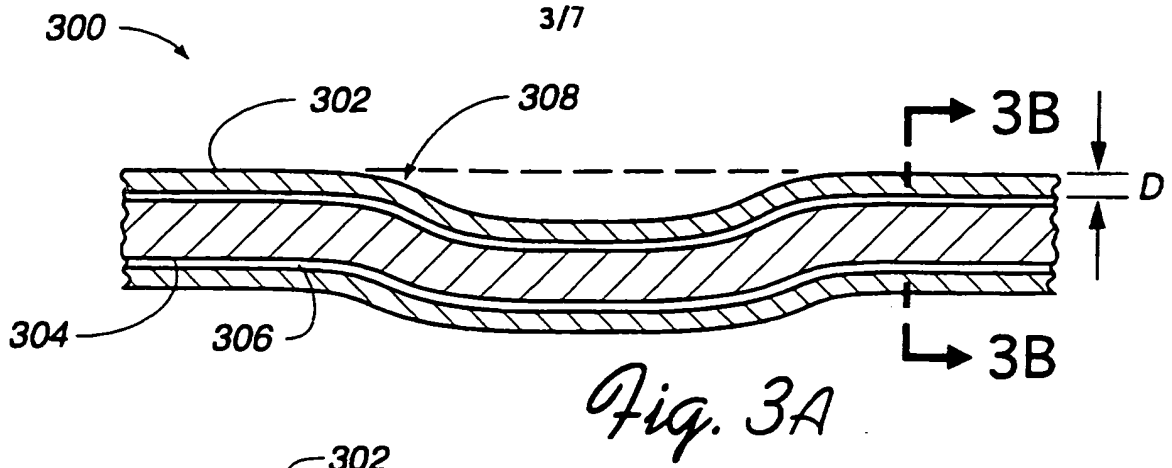
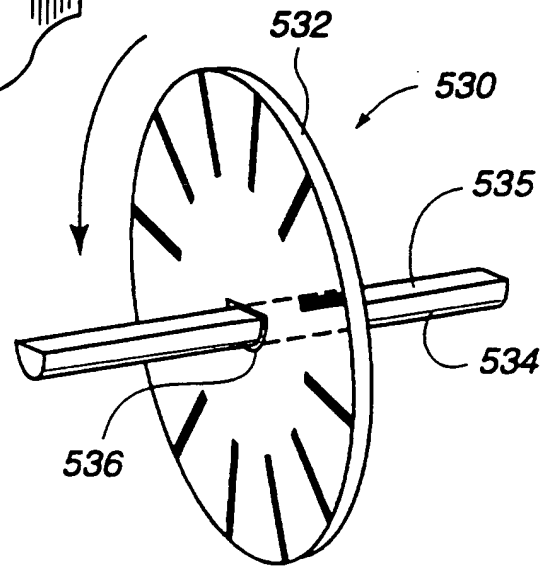
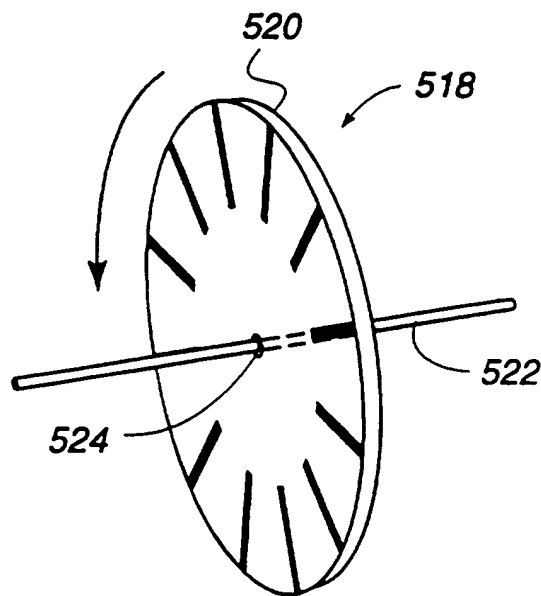
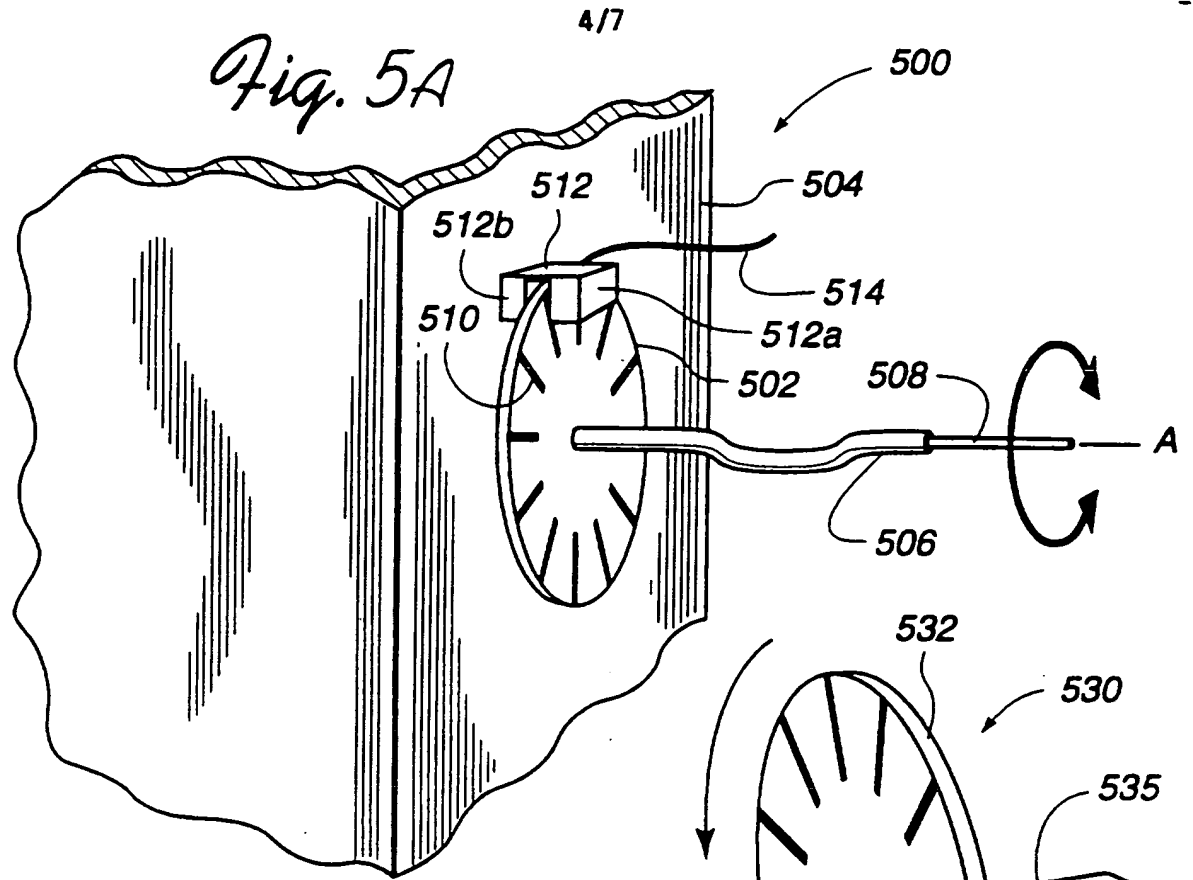
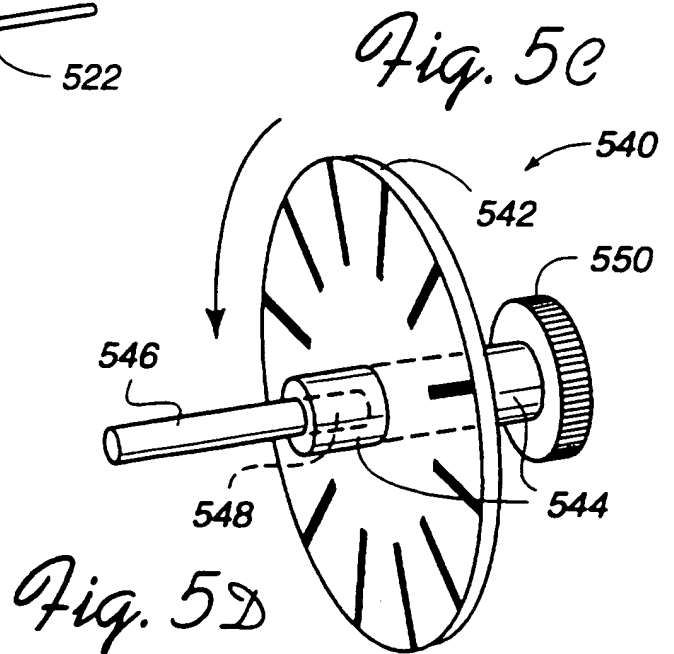


Fig. 2B

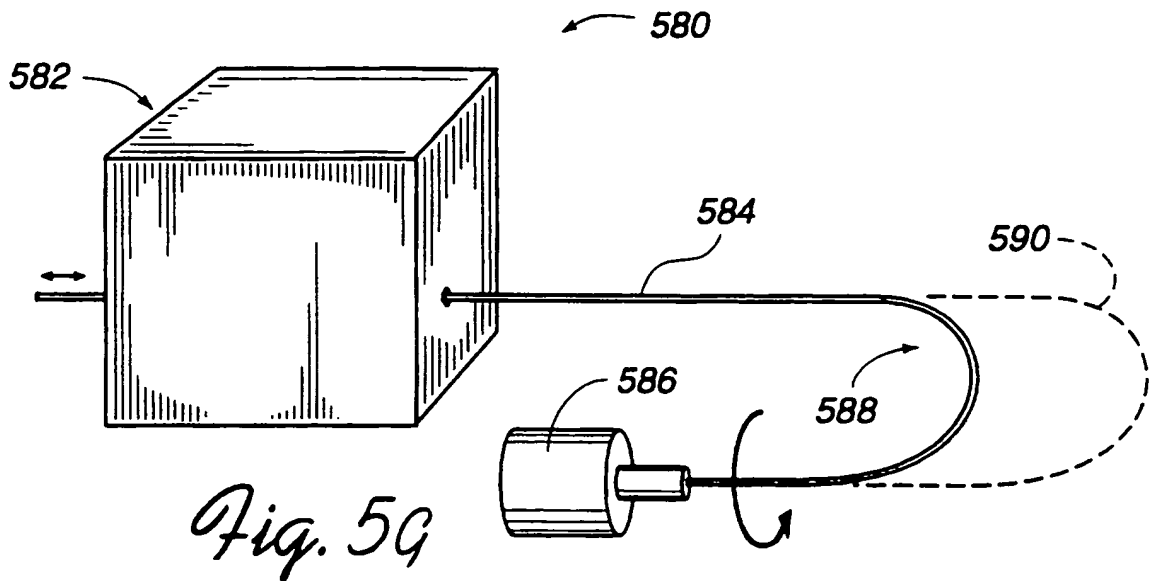
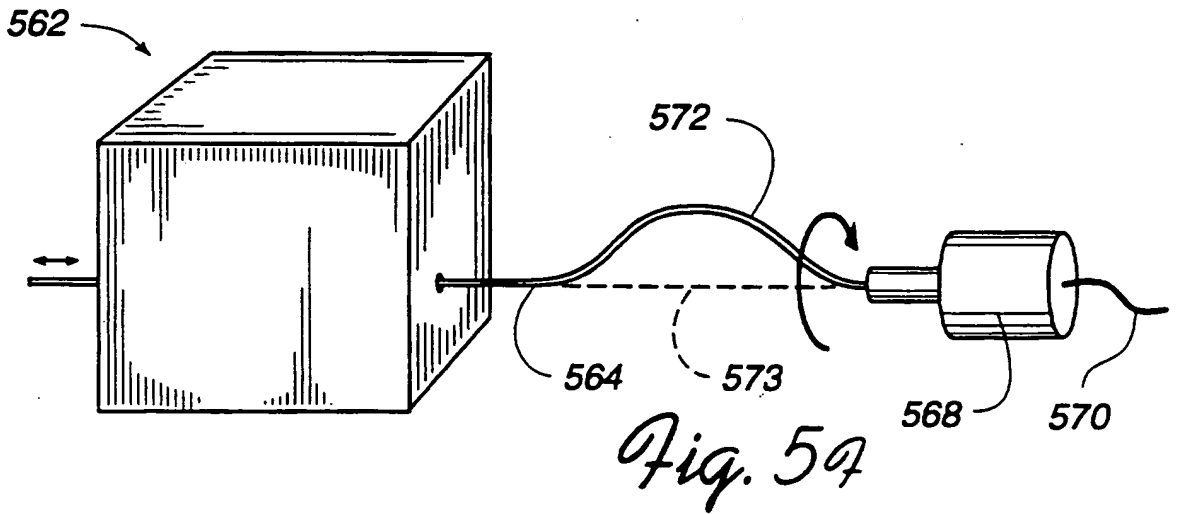
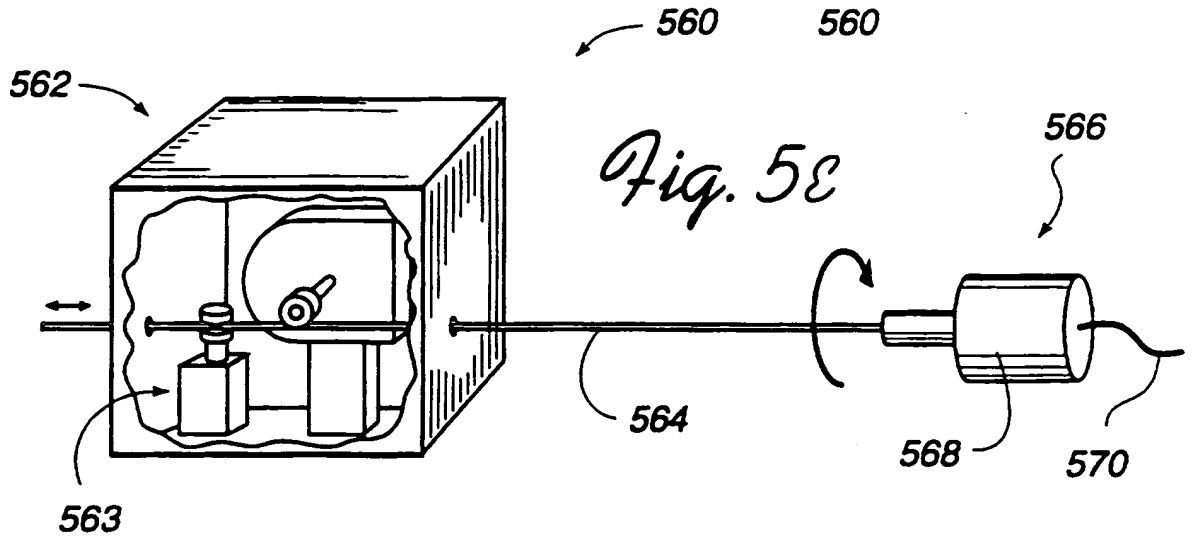




*Fig. 5B*



5/7



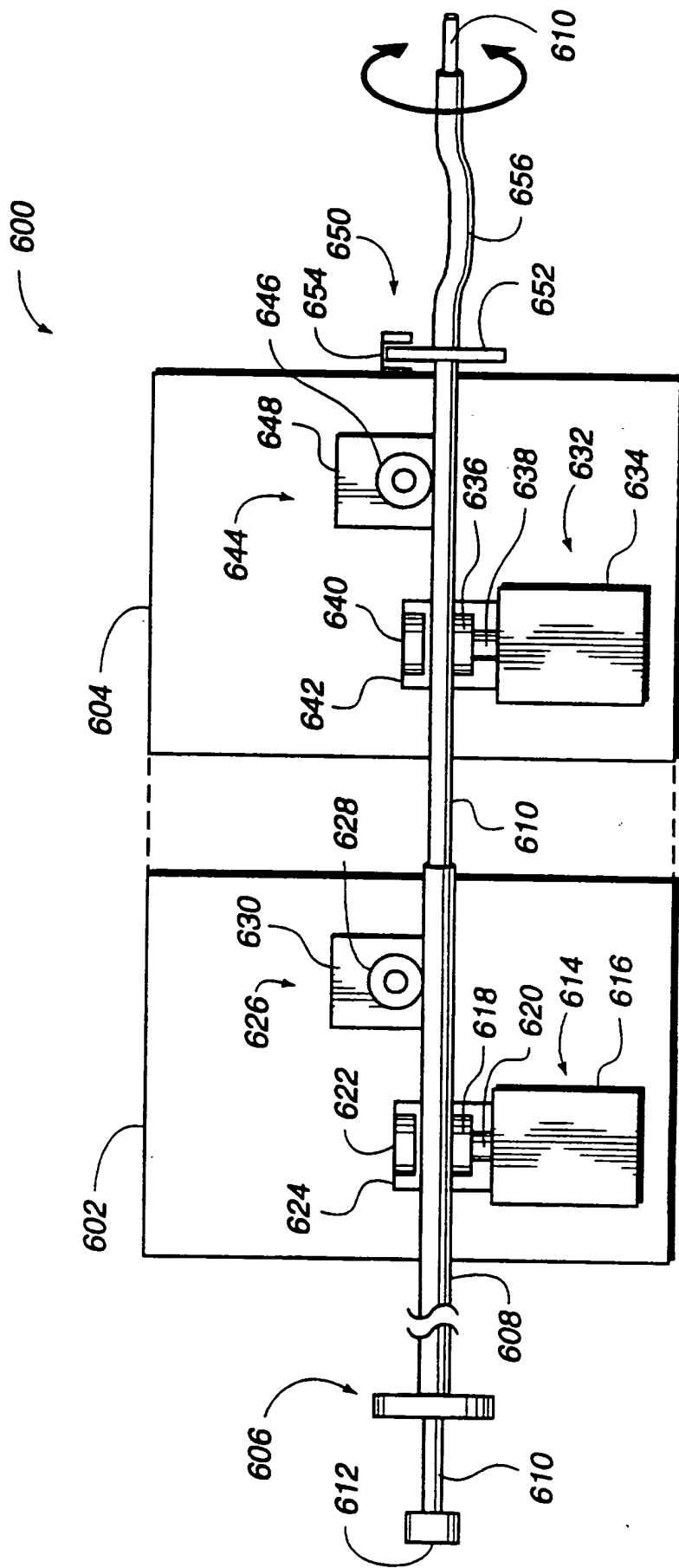
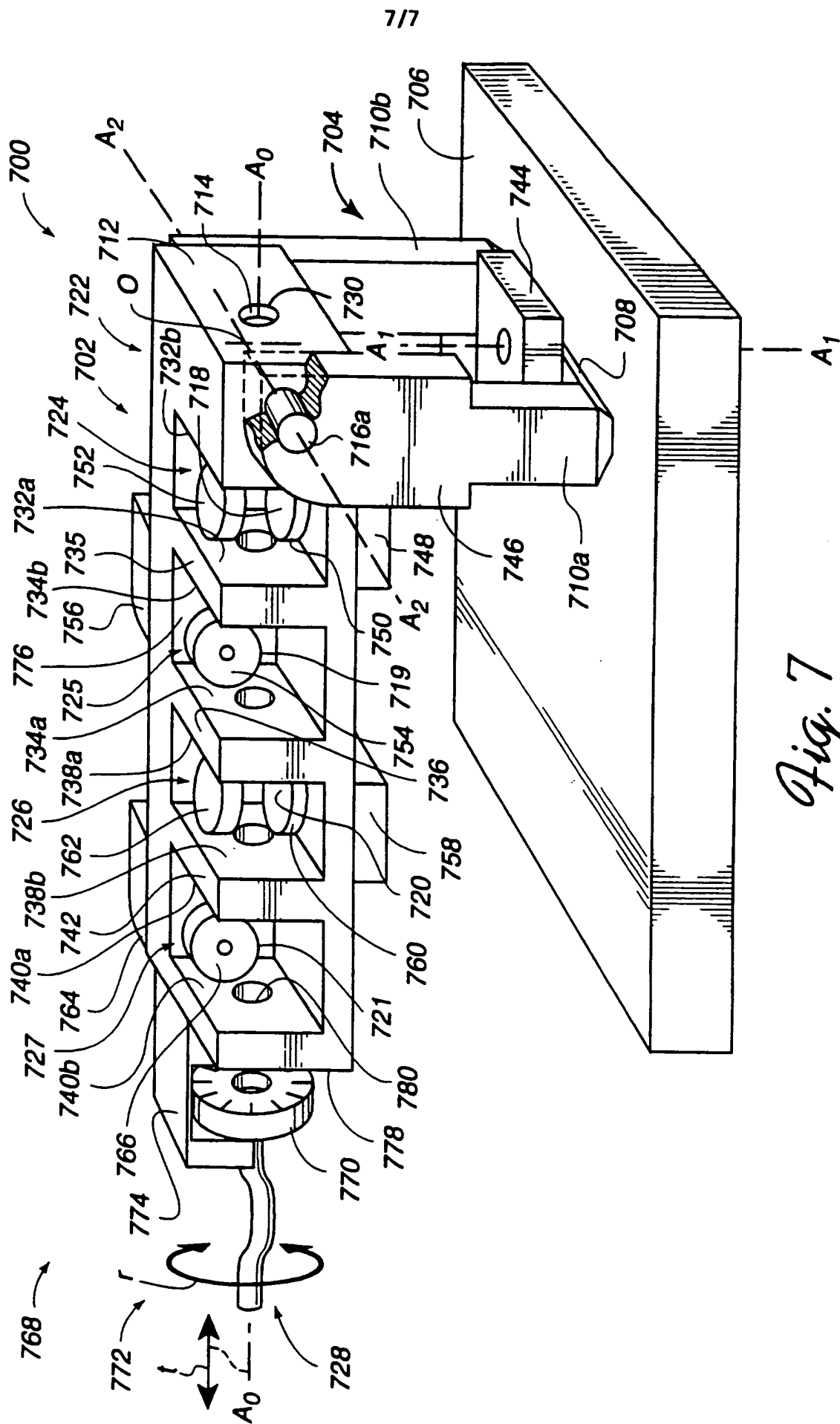


Fig. 6



INTERNATIONAL SEARCH REPORT

International application No.  
PCT/US95/15301

**A. CLASSIFICATION OF SUBJECT MATTER**

IPC(6) :G09G 5/08  
US CL :345/161

According to International Patent Classification (IPC) or to both national classification and IPC

**B. FIELDS SEARCHED**

Minimum documentation searched (classification system followed by classification symbols)

U.S. : 74/471; 318/567; 345/7, 8, 156-158, 161, 165, 166, 184; 600/130, 201; 606/9.1, 130; 128/662.06, 897

Documentation searched other than minimum documentation to the extent that such documents are included in the fields searched

Electronic data base consulted during the international search (name of data base and, where practicable, search terms used)

APS

search terms: belt and sheave and rotat?; gimbel# or gimbal#; laparoscopic; rotation? and transduc? and disk and shaft

**C. DOCUMENTS CONSIDERED TO BE RELEVANT**

Category*	Citation of document, with indication, where appropriate, of the relevant passages	Relevant to claim No.
Y,P	US, A, 5,445,166 (TAYLOR) 29 August 1995 (29.08.95), column 3, line 19, column 13, lines 11-12, column 18, lines 65-67, Figs. 2,10	1-24
Y,P	US, A, 5,397,323 (TAYLOR ET AL) 14 March 1995 (14.03.95), Abstract, column 2, lines 5-14.	1-24
Y,P	US, A, 5,384,460 (TSENG) 24 January 1995 (24.01.95), Figs. 4-5.	1-24
Y,P	US, A, 5,379,663 (HARA) 10 January 1995 (10.01.95), Figs. 1(1&2).	10-19
Y,P	US, A, 5,467,763 (MCMAHON ET AL) 21 November 1995 (21.11.95), column 1, lines 66-67, Fig. 18.	22

Further documents are listed in the continuation of Box C.  See patent family annex.

* "A"	document defining the general state of the art which is not considered to be part of particular relevance	* "T"	later document published after the international filing date or priority date and not in conflict with the application but cited to understand the principle or theory underlying the invention
* "E"	earlier document published on or after the international filing date	* "X"	document of particular relevance; the claimed invention cannot be considered novel or cannot be considered to involve an inventive step when the document is taken alone
* "L"	document which may throw doubts on priority claim(s) or which is cited to establish the publication date of another citation or other special reason (as specified)	* "Y"	document of particular relevance; the claimed invention cannot be considered to involve an inventive step when the document is combined with one or more other such documents, such combination being obvious to a person skilled in the art
* "O"	document referring to an oral disclosure, use, exhibition or other means	* "&"	document member of the same patent family
* "P"	document published prior to the international filing date but later than the priority date claimed		

Date of the actual completion of the international search  
01 MARCH 1996

Date of mailing of the international search report  
27 MAR 1996

Name and mailing address of the ISA/US  
Commissioner of Patents and Trademarks  
Box PCT  
Washington, D.C. 20231

Authorized officer

Martin Loui

Jani Hill

Facsimile No. (703) 305-3230

Telephone No. (703) 305-4965